

## Cable Ties

### UV & Heat Stabilised



**• Feature:**

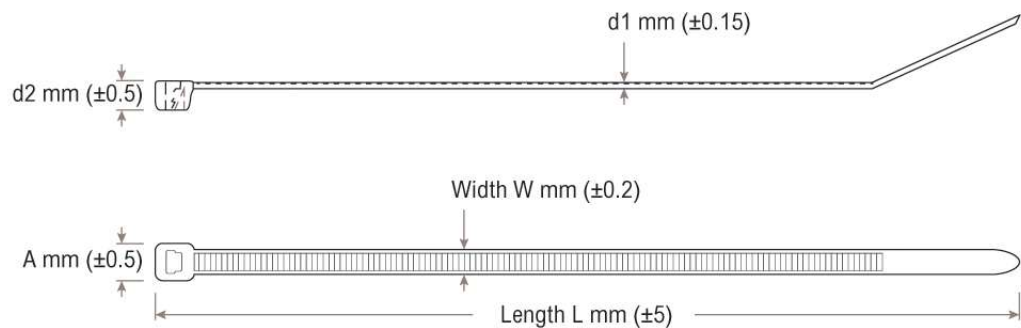
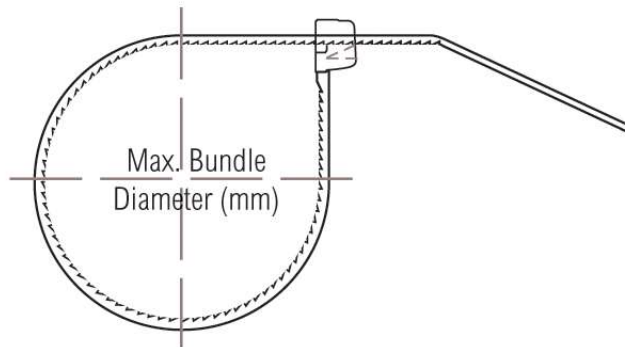
UV Stabilised cable ties have a higher carbon content for greater resistance to ultra violet exposure in outdoor usage.  
Heat Stabilised cable ties provide additional thermal endurance without affecting performance.

**• Application:**

Self-locking for fast and easy application.

**• Operating Temperature:**

-40°C to +120°C



## Cable Ties

### UV & Heat Stabilised

Colour	Width W (mm)	Length L (mm)	Depth d1 (mm)	Head Depth d2 (mm)	Head Width A (mm)	Max. Bundle Diameter (mm)	Min. Tensile Strength (kg)
Black	2.5	100	1.2	4.0	4.6	22	8
Black	3.6	150	1.2	4.7	6.7	36	18
Black	4.8	203	1.3	5.9	8.4	52	22
Black	4.8	300	1.3	5.9	8.4	83	22
Black	4.8	368	1.3	5.9	8.4	105	22
Black	4.8	430	1.3	5.9	8.4	125	22
Black	7.6	300	1.8	7.8	12.5	80	55
Black	7.6	370	1.8	7.8	12.5	101	55
Black	9.0	450	1.8	8.2	14.2	128	80
Black	9.0	550	1.8	8.2	14.2	160	80
Black	9.0	710	1.8	8.2	14.2	209	80
Black	9.0	762	1.8	8.2	14.2	227	80
Black	12.7	580	2.0	9.8	19.6	169	114
Black	12.7	1030	2.0	9.8	19.6	312	114
Natural	2.5	100	1.2	4.0	4.6	22	8
Natural	3.6	150	1.2	4.7	6.7	36	18
Natural	4.8	203	1.3	5.9	8.4	52	22
Natural	4.8	300	1.3	5.9	8.4	83	22
Natural	4.8	368	1.3	5.9	8.4	105	22
Natural	4.8	430	1.3	5.9	8.4	125	22
Natural	7.6	300	1.8	7.8	12.5	80	55
Natural	7.6	370	1.8	7.8	12.5	101	55
Natural	9.0	450	1.8	8.2	14.2	128	80
Natural	9.0	550	1.8	8.2	14.2	160	80
Natural	9.0	710	1.8	8.2	14.2	209	80
Natural	9.0	762	1.8	8.2	14.2	227	80
Natural	12.7	580	2.0	9.8	19.6	169	114
Natural	12.7	1030	2.0	9.8	19.6	312	114